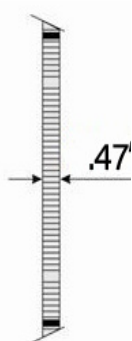
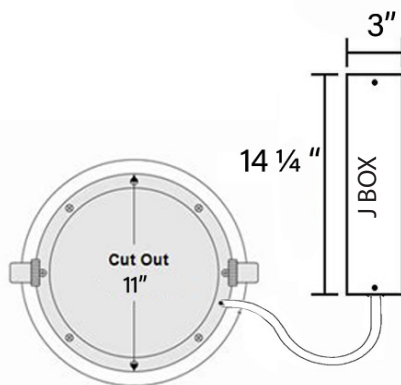
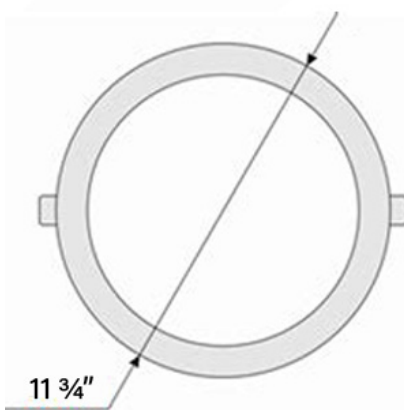


WalaStar 10

WalaStar 10 is a 10 inch round LED light that is a money-saving and energy-efficient replacement for high hats, down lights or can lights that utilize incandescent, CFL or par bulbs. The 10" round LED lighting system allows a single light to vary between bright natural daylight (5700 Kelvin) and warm light (2200 Kelvin) and is dimmable to any brightness level.



WalaStar 10™ System



PRODUCT TYPE	Kelvin & dimming variable edge lit low glare LED panel
MANUFACTURER	WalaLight
MODEL NUMBER	WS10WH10v3
RATED VOLTAGE	100 -277 VAC, 50/60 Hz
WATTAGE	25W
LUMENS	Up to 1374 lumens
KELVIN	2200 to 5700
LED CHIPSET	96 pcs of 3528 and 3030 Seoul Semiconductor SunLike diodes
POWER FACTOR	0.94
BEAM ANGLE	120 degrees
CRI	>95 daylight >90 warm
LIFESPAN	>90,000 Hours (per L70 report)
DIMMABLE	YES - Kelvin & brightness adjustable
WARRANTY	10 years on panels, 5 years on optional driver / controls
CERTIFICATION	
DIMENSIONS	11 3/4" round
CUT OUT	11" round
THICKNESS	.47" (12mm)
WEIGHT	4.17lbs (included optional junction box)
FRAME	Aluminum with White powder coated finish
MOUNTING	Fits inside cut out hole in ceiling
LIGHT GUIDE	PMMA non-yellowing 3mm diamond cut acrylic
PERCENT OF WATTAGE SAVED FROM AVERAGE REPLACEMENT*	Up to 67%

(*excludes savings in labor, frequency of bulb changes, ballast, and HVAC savings)